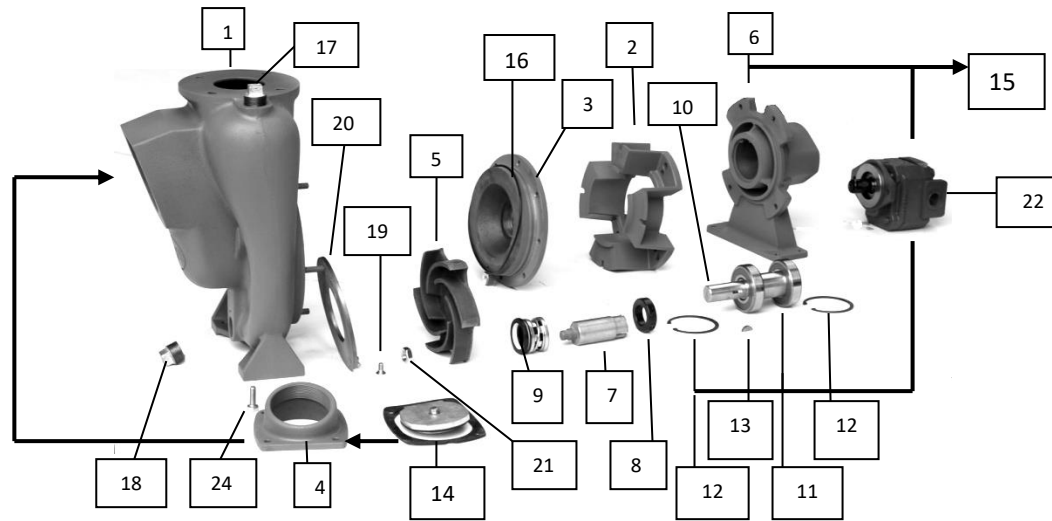


# WET1 2000

## PARTS LIST



PART NO.	DESCRIPTION	PART NO.	DESCRIPTION
2000-001	PUMP HOUSING	2000-013	SHARFT KEY
2000-002	MOTOR FRAME	2000-014	SUCTION FLAP ASSEMBLY
2000-003	BACK PLATE	2000-015	PEDESTAL MOUNT ASSEMBLY
2000-004	SUCTION FLANG	2000-016	PUMP HOUSING O'RING
2000-005	IMPELLER QUOTE S/NO.	2000-017	PRIMER PLUG
2000-006	PEDESTAL MOUNT CASTING	2000-018	DRAIN PLUG
2000-007	IMPELLER SHARFT	2000-019	BOLT WEAR PLATE
2000-008	SHARFT COUPLING QUOTES/NO	2000-020	WEAR PLATE
2000-009	MECH SEAL SEA-0380-2100S	2000-021	IMPELLER SHARFT NUT
2000-010	PEDESTAL SHARFT	2000-022	HYD MOTOR QUOTE S/NO.
2000-011	PEDESTAL SHARFT BEARINGx2		
2000-012	BEARING CLIP x2	2000-024	SUCTION END BOLTS
		*	PART NO.2000-015 INCLUDE ITEM 6,10,11,12,13

WACME PTY LTD

PH: 03 9770 8348 MOB: 04 19 591 900

[WWW.WET1.COM.AU](http://WWW.WET1.COM.AU) E MAIL :sales@wet1.com.au